

NOTE: unless otherwise specified

1. RESISTOR VALUES ARE IN OHMS 1/4 WATTS ± 5%

2. ALL CAPACITOR VALUES ARE IN MICROFARADS

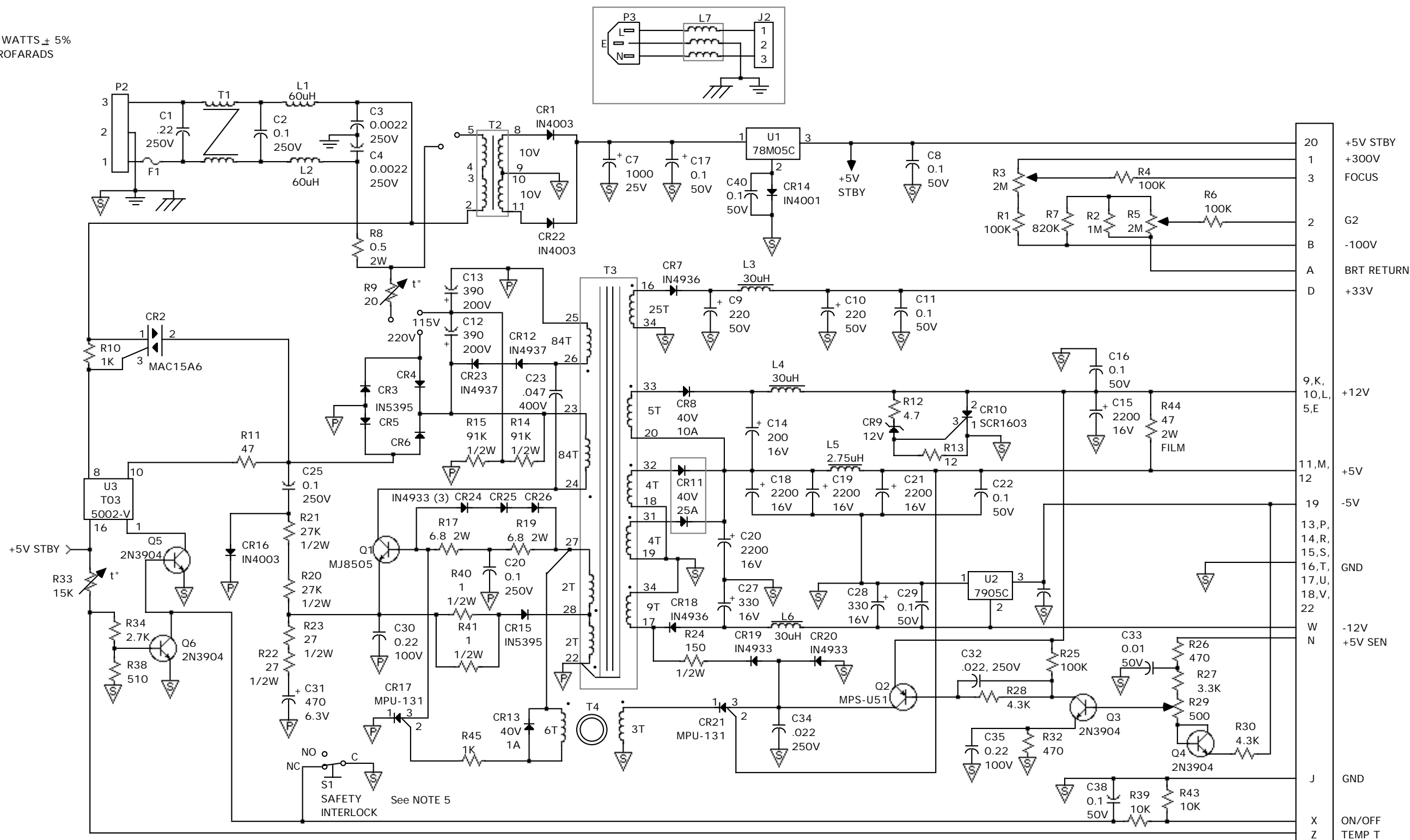
3.  DENOTES PRIMARY GROUND

4.  DENOTES SECONDARY GROUND

5. S1 POSITION WITH BACK OFF



# LISA POWER SUPPLY



- 20 +5V STBY
- 1 +300V
- 3 FOCUS
- 2 G2
- B -100V
- A BRT RETURN
- D +33V
- 9,K, +12V
- 10,L, 5,E
- 11,M, +5V
- 12
- 19 -5V
- 13,P, GND
- 14,R,
- 15,S,
- 16,T,
- 17,U,
- 18,V,
- 22
- W -12V
- N +5V SEN
- J GND
- X ON/OFF
- Z TEMP T